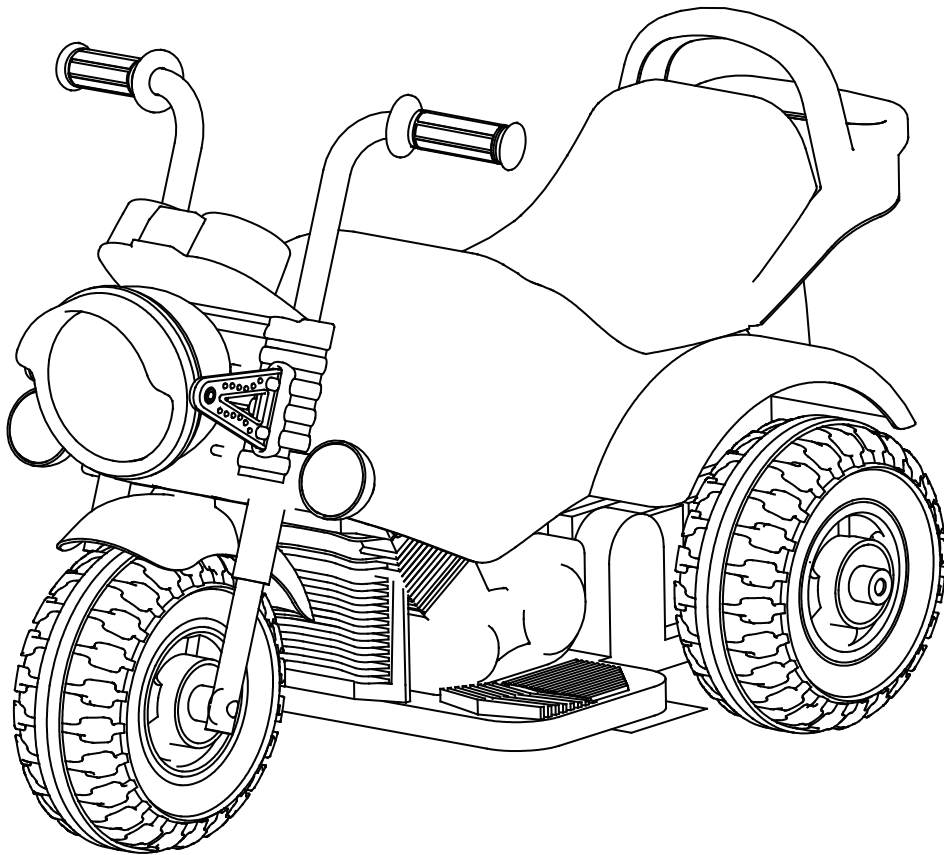


Assembly and Safety Instructions for Little Motorcycle

KL-20039



⚠ WARNING: Adult assembly required.

Please read this manual carefully before assembly and use. This manual contains important information which will help you assemble the unit and give your safety instructions.

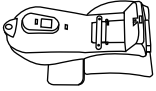
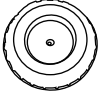


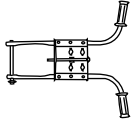
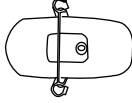
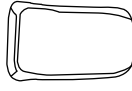

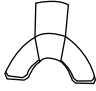

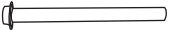


SAFETY WARNINGS

- 1.Never ride the Bike on the main road, slope or in any hazardous area.
- 2.Never let children ride the Bike without adult supervision.
- 3.Only one child should ride the Bike at a time. Do not overload: max weight 25 kgs.
- 4.Only use the battery and adaptor supplied by the manufacture.
- 5.Clean the Bike with a damp cloth and never submerge Bike in water or spray with water from a hose.
- 6.Be sure the red wire to the battery is connected to the red terminal on the battery, and the black wire is connected to the black terminal on the battery. The assembly and charging of the battery should only be performed by an adult.
- 7.Never use near swimming pools or other bodies of water.
- 8.Do not press the F/B switch while Bike is in motion. Be sure to come to a complete stop before switching directions.
- 9.Please discard all plastic bags after assembly. They can be a suffocation hazard.
- 10.Not suitable for the children under 3 years. Contains small parts.
- 11.The Bike has 1 auto-reset fuse on the battery and 1 auto reset fuse on the motor. Should the motor become overloaded the Bike will shut down, the fuse will reset automatically after approximately 30 seconds. The Bike will function as normal.
- 12.Recommended age group: Ages 3---5 years old.
- 13.Maximum weight : 55lbs/25kgs, Bike weight: 11.44lbs/5.20kgs
- 14.Power source: Rechargeable, sealed lead-acid battery.
Battery charge time : 8-12 hours for full charge
- 15.Dimensions: 28.5"x15.4"x18.3"/72.5x39x46.5cm.
Speed: 2.0-2.5kmh/1.24-1.55mph
- 16.Adaptor: Input AC 100V-240V
Output DC 7.5V-600MA

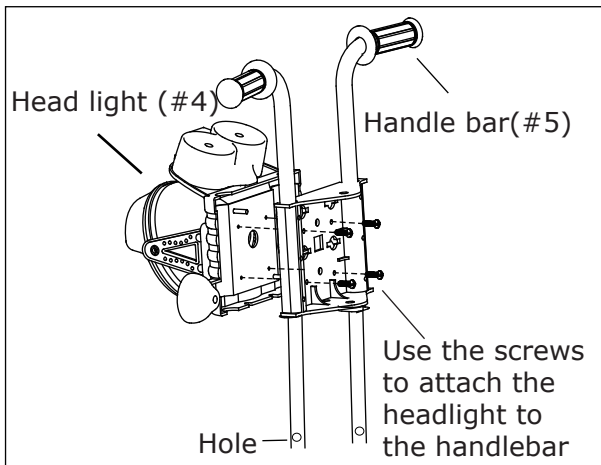
CHARGING CAUTIONS:

- 1.The charger is not a toy. It should be used only with adult supervision.
- 2.Regularly check the adaptor and battery for damage. If damage is found stop using the battery and adaptor.
- 3.When charging the battery, Connect the plug of the adaptor with the plug of the battery first then connect the power supply to a household outlet
- 4.It is normal for the charger to feel warm during charging, however if the charger feels very hot, stop charging and unplug the charger and check for damage.
- 5.To extend the battery life you should recharge the battery fully before storage, then charge it every 2 months if not in use.
- 6.Do not charge the battery more than 16 hours.

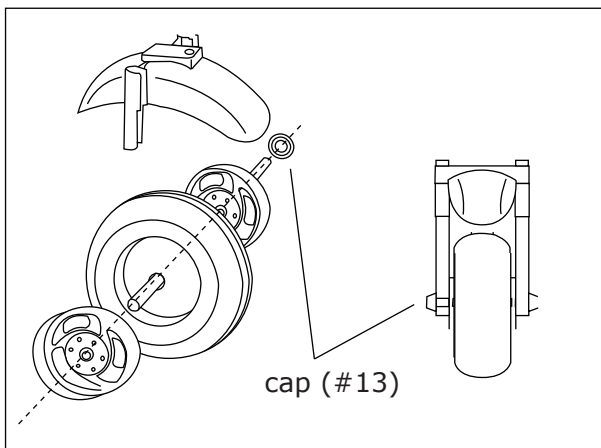
Hardware pack list

No.		Description	Qty
1		Assembled chassis & body	1pc
2		Front wheel	1pc
3		Wheel covers	2pcs
4		Head Light	1pc
5		Handle bar assembly	1pc
6		Front fender	1pc
7		Seat	1pc
8		Seat back	1pc
9		Wrench	1pc
10		Bolt M8x130mm	1pc
11		Axle (14x100mm)	1pc
12		Cap	2pcs
13		Screws TA3x12x8	4pcs

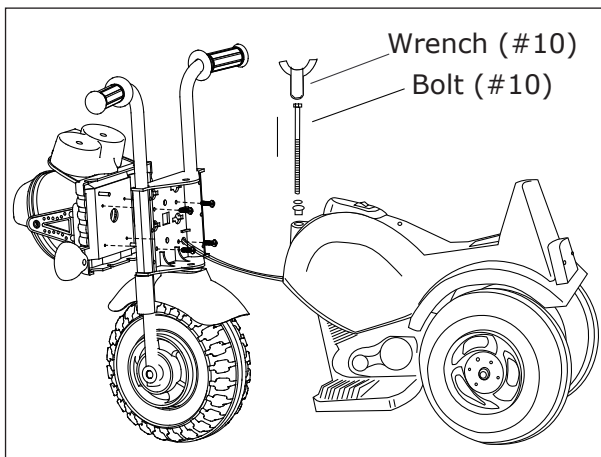
Assembly



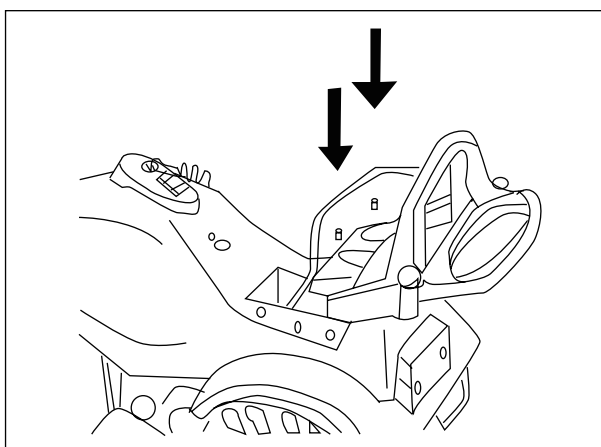
Step 1:
Assembling the head light (#4) and the handle bar (#5). Use the 4 screws TA3x12x8 (#14) provided in the small pack to attach the headlight to the handle bar.



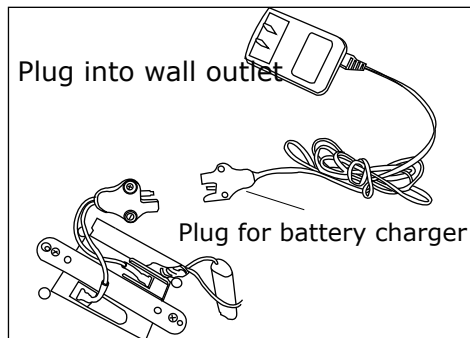
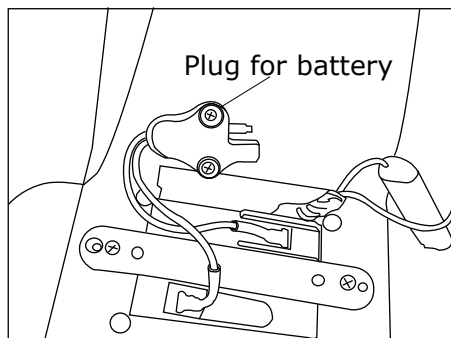
Step 2:
Snap front fender (#6) in place on the handle bar assembly. Be sure to position bolt hole towards the rear. Place a wheel cover (#3) on each side of front wheel (#2). Position the front wheel between the 2 legs of the handle bar. Insert the axle through hole in leg 1, then through the tire and through leg 2. Tap the lock caps (#13) onto each end of the axle.



Step 3:
Connect the headlight wire to the wire on the front of the bike. Line up the holes in front of the body with the holes in the handle bar assembly (#5). Insert the long pivot bolt (#10) through the top of the handle bar assembly, then through the body and into the nut on the fender. Tighten bolt with the plastic wrench (#11).



Step 4:
Remove seat (#7) by unscrewing the small screws at the rear of the seat. Remove the battery charger and set aside. Attach the seat back (#8) with the 4 screws. And then tighten the seat with the small screws.



Step 5:

When you need to recharge the battery, connect the battery plug to the red charger plug. Then plug the charger into a household wall outlet. When charging is completed, re-connect the battery plug to the bike plug. Make sure that the local voltage is the same as the charger before charging.

Trouble-Shooting:

1.If the bike does not move:

- a.The bike is equipped with an auto-reset fuse. The fuse will cut off the power if the bike becomes overloaded. It will then reset after 30 seconds
- b.Check to be sure all the wires are connected properly, especially the battery wires.

2.If the bike moves slowly:

Recharge the battery for 8-12 hours.

3.The battery can not be fully charged:

The adaptor or the battery may be faulty or double check the wires.

If you have any missing or damaged parts or need assembly assistance, please contact our service center directly. Do not return this product to the retailer, they do not stock replacement parts.

Support Website: <http://support.bigtoysusa.com/Support> Phone: 715-955-4237

Use instruction:

1.With the F/B switch in the "F" position the bike will run forward, in the "B" position the bike will run backwards. The middle position is neutral, the bike will not move. Front light operates when moving forward; rear light operates when moving backward; release the pedal, the bike stops.

2.The bike has four different sounds. Activate sounds by moving the slide switch on top of the gas tank. Then push the button.