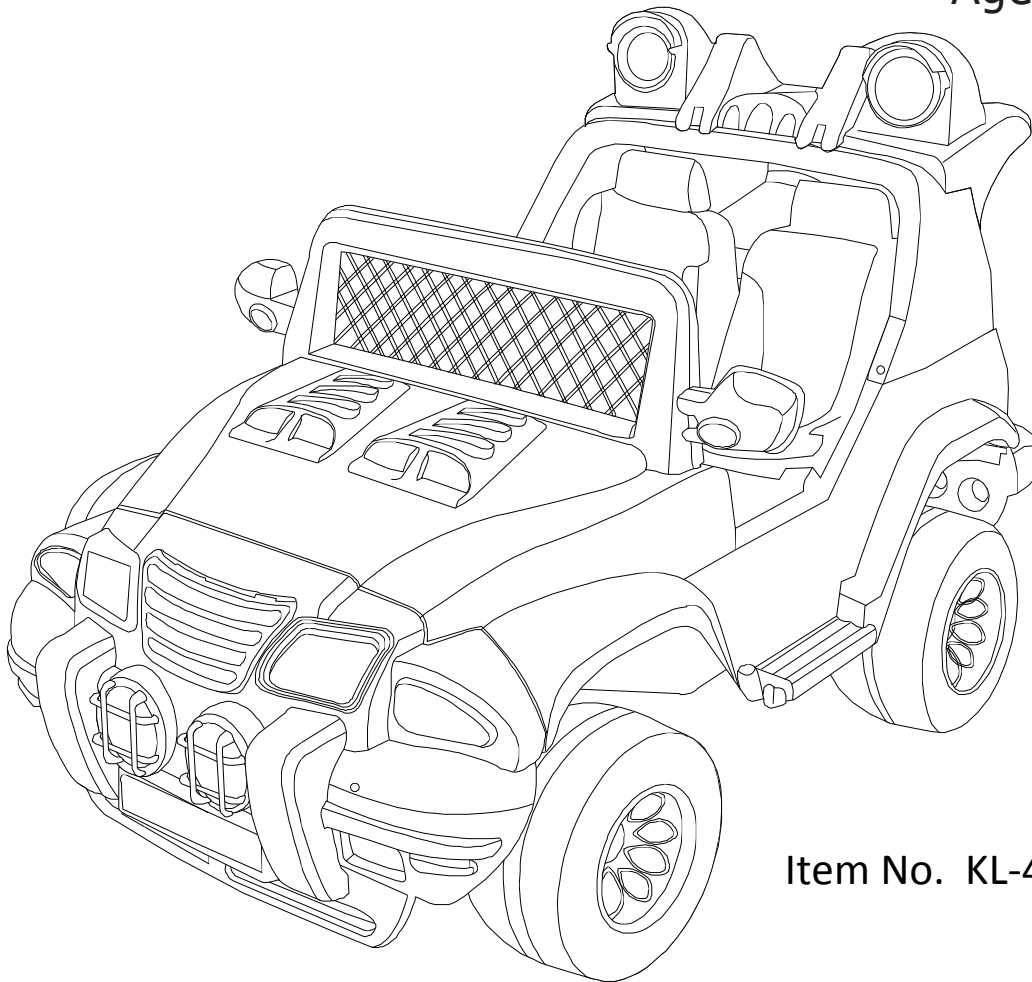


BIGFOOT®



Bigfoot® Monster Jeep Battery Operated Ride On Instruction / Assembling Manual

Ages 3 and up



Item No. KL-40014

Adult Assembly Required.

Please read this manual carefully before giving this toy to your child.

This manual contains important information which will help you to assemble the unit includes safety instructions.

Please keep this manual for future purpose

Manufactured by : Kalee Children's Products Co, Ltd.

Made in China

Vehicle / Battery Specifications:

Age: Ages 3 and up

Maximum Capacity: 50 kgs / 110 lbs

Speed: 5.0-5.5km/h / 3.1-3.4mph

Battery Type: Sealed lead-acid rechargeable, 12Volt 10Ah

Charging time: Always charge the battery for 24 hours before first use and when recharging is needed.

Power input for Charger: A/C 100-240 Volts, 60Hz

Power output to Battery: DC 14Volts, 1000mA

WARNING:

1. Use the toy only on flat surfaces, such as sidewalks, driveways or playgrounds. Never ride the vehicle in dangerous places such as busy streets, roads or highways.
2. Never use/ride/play near swimming pools or other bodies of water.
3. Never ride the vehicle in muddy or sandy areas. Never ride in hilly areas or on steep slopes. This vehicle was made to operate on dry leveled ground.
4. Never ride in the dark or in dimly lit areas.
5. Clean the vehicle only with a damp cloth and never submerge vehicle in water or spray with water directly from a hose.
6. Do not exceed the recommended weight limit of 50 kgs / 110 lbs.
7. To avoid suffocation of children please destroy all plastic bags after assembly of the vehicle.
8. If vehicle is equipped with a forward / reverse switch, never press this switch while vehicle is in motion. Always stop the vehicle before switching directions.
9. This toy should be used with caution since skill is required to avoid falls or collisions causing injury to the user or third parties.

WARNING:

To reduce the risk of injury, adult supervision is required.

Never use on roadways, near motor vehicles, on or near steep inclines or steps, swimming pools or other bodies of water. Always wear shoes and never allow more than 2 rider.

WARNING:

Choking Hazard! Contains small parts. Not for children under 3 years old!

WARNING:

Contains small parts, sharp points and sharp edges. Adult assembly required.

WARNING:

Not to be used in traffic.

WARNING:

This toy is unsuitable for children under 3 years due to its maximum speed.

CHARGING CAUTIONS:

- The charger is not a toy. Do not allow children to play with the charger or to recharge the battery.
- Turn the power switch to “OFF” when charging.
- Before the first use, you should charge the battery for 24 hours.
- It is normal for the charger to feel warm during charging. If the charger feels very hot, stop charging, unplug the charger and check the battery and charger.
- Use the charger in a dry location only and store in a dry location when not in use.
- Regularly check the charger, battery and their connectors for excessive wear or damage each time you charge the battery. If damage or excessive wear is detected, do not use the charger or the battery until you have replaced the worn or damaged part.

BATTERY SAFETY WARNING:

- Only use the battery and charger supplied by the manufacturer.
- Do not connect the battery terminals directly together. This will cause the battery to short-circuit.
- Never short-circuit the battery terminals or modify the electrical system. Alterations may cause a fire resulting in serious injuries.
- Do not mix old and new batteries or batteries of different types.
- Remove batteries during long periods of non-use. Always remove batteries from the product. Dispose of batteries safely. Do not dispose of batteries in fires. The batteries may explode or leak.
- If removable, rechargeable batteries are used, they are only to be charged under adult supervision.
- Recharge the battery fully before storage, then charge it every 3 months to extend the life of the battery.


















WARNING - Risk of fire. Do not by pass fuse. Replace only with the correct amperage fuse.



Caution:

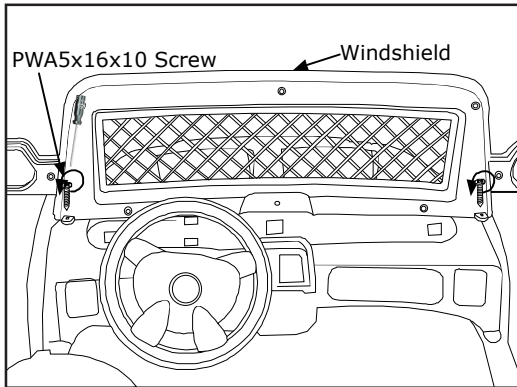
This ride on vehicle is equipped with a built-in thermal circuit breaker. The thermal circuit breaker is a self-resetting safety device which automatically “trips” and shuts down the operation of the vehicle if it is overloaded or the driving conditions are too severe. Once the circuit breaker has tripped it will automatically reset itself after approximately 25 seconds and allow the rider to resume normal operation.

Part List:

No.		Description	Qty
1		Body	1pc
2		Radiator	1pc
3		Rear Fender	1pc
4		Spare Wheel Assembly	1pc
5		Rear Wing	1pcs
6		Windshield	1pcs
7		Front Bumper	1pcs
8		Backrest	1pc
9		Seat	2pc
10		Steering Wheel	1pc
11		PWA5x16x10 Screw	4pcs
12		TM5x36x9 Screw	1pc
13		M5	1pc
14		PA5x16x7 Screw	20pcs
15		PWA4x16x10 Screw	6pcs

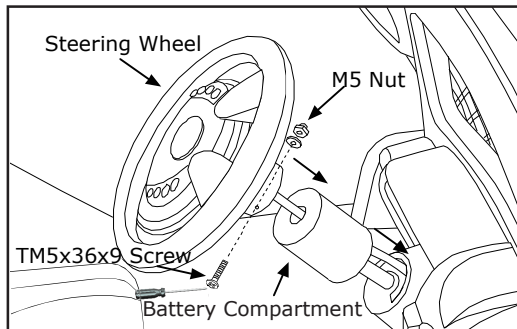
Remark: all screws and nut are prefixed on the car.

How to assemble the vehicle:



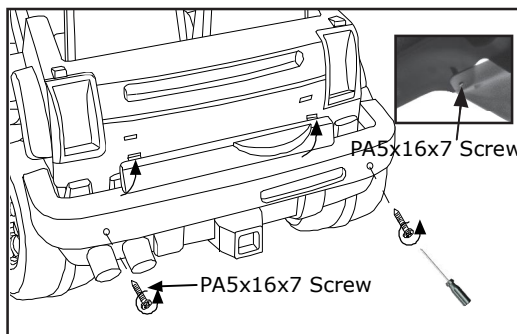
Step 1:

- Attach the windshield on the car, then tighten the PWA5x16x10 Screw (#11) with screwdriver (not included).



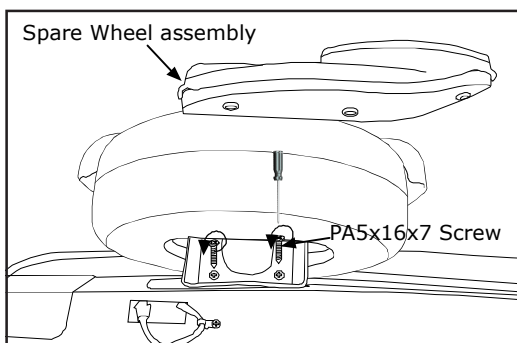
Step 2:

- Place the Steering Wheel (#10) onto the steering wheel column.
- Insert the TM5x36x9 Screw (#12) across the steering wheel column.
- Insert the M5 Nut (#13), tighten the screw with screwdriver (not included).
- Open the battery compartment located on the steering wheel column with screwdriver.
- Insert 3 AA batteries (not included) and close the lid with screwdriver.
- Place the red button to turn on the IC sound.



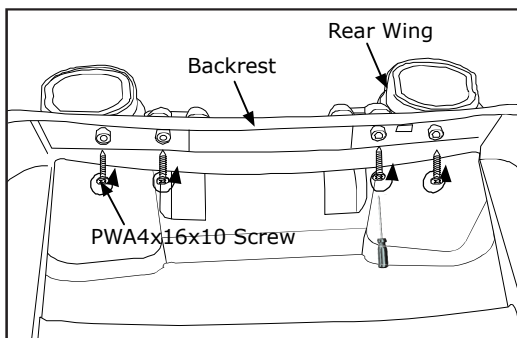
Step 3:

- Attach the Rear Bumper (#3) onto car.
- Insert 4xPA5x16x7 Screw (#14), then tighten the screws with screwdriver.



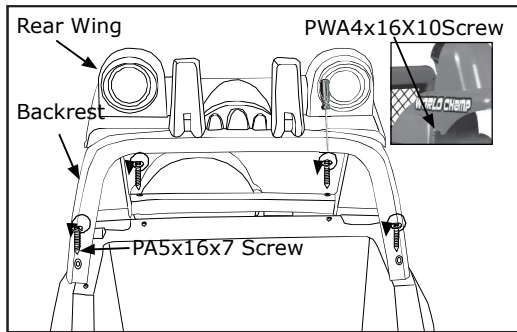
Step 4:

- Attach the Spare Wheel Assembly (#4) onto the car.
- Insert 2xPA5x16x7 (#14), tighten the screw with screwdriver.



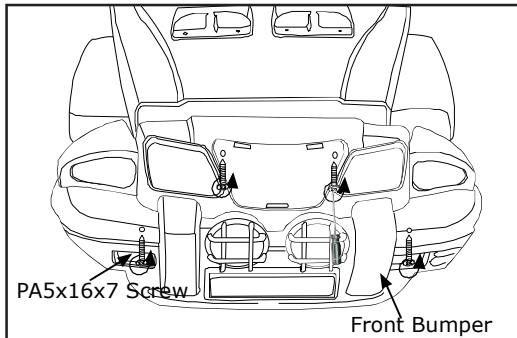
Step 5:

- Attach the Rear Wing (#5) on the Backrest (#8), Insert 4xPWA4x16x10 Screws (#15), then tighten the screws with screwdriver.



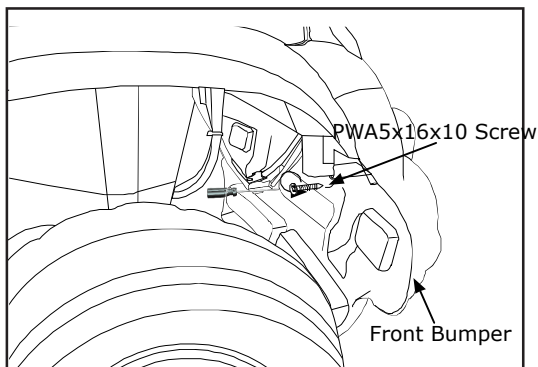
Step 6:

- Insert 4xPA5x16x7 Screw (#14) and 2x PWA4x16x10 (#15) Screw into the screwhole on the backrest, then tighten the screws with screwdriver.



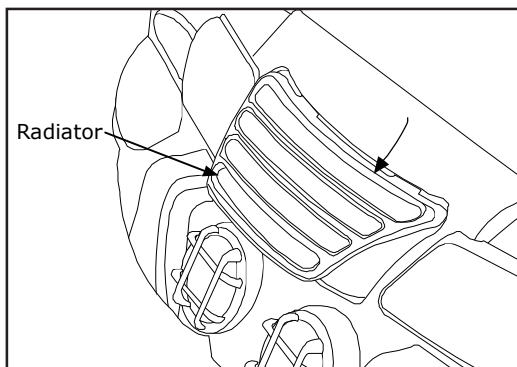
Step 7:

- Attach the Front Bumper (#7) to the car
- Insert 4xPA5x16x7 Screw (#14), then tighten with screwdriver.



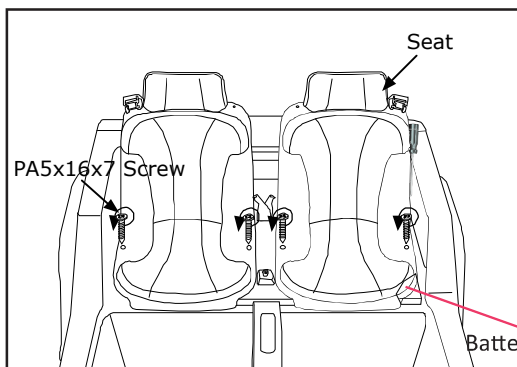
Step 8:

- Insert 2x PWA5x16x10 Screw (#11) into the screwholes inside the Front Bumper, tighten the screw with screwdriver.



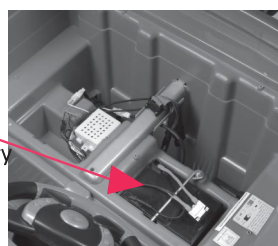
Step 9:

- Attach the Radiator (#2) onto the car.



Step 10:

- Place the Seats (#9), insert 6xPA5x16x7 Screw (#14), then tighten the screws with screwdriver.
- The battery is located under the left seat.



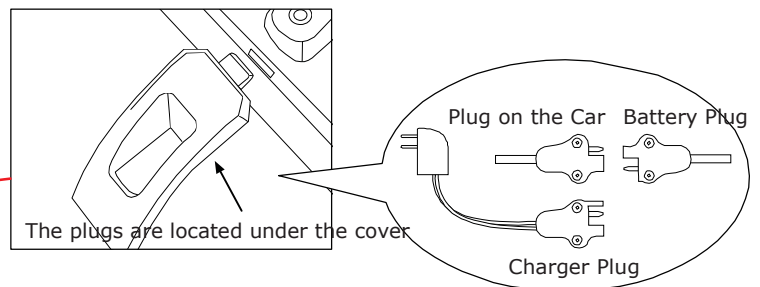
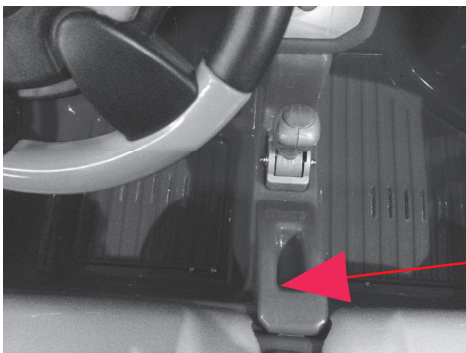
Operation of the Vehicle:

1. Make sure the battery is fully charged and the motor plug is connected to the battery plug.
2. Before using the vehicle, please connect the plugs which are located in the middle of the seat.
3. Press the direction switch to "F" and press the accelerator pedal, vehicle will move forward.
4. To stop the vehicle, remove your foot from the accelerator pedal. When stopped, press the direction switch to "B" then press the accelerator pedal, vehicle will move backward.
5. The vehicle has 2 speeds, drive forward with 2 speed and backward with 1 speed, press the red button as shown to change into faster speed.

NOTE: Do not change directions while vehicle is in motion.



Charging the Battery:



The red plugs for charging the battery are located under the cover as shown. Unplug the battery plug from the motor plug, then connect the red charger plug into the battery plug, then plug charger into a household outlet. When the battery is fully charged unplug the charger and reconnect the battery plug to the motor plug.

Maintaining your vehicle:

- It is a parents responsibility to check main parts of the vehicle before use. Regularly examine the vehicle for potential hazards, such as the battery, charge cable, cord and plug. Ensure screws are tightened. If there are any damages, the vehicle must not be used until these damages have been properly repaired or replaced.
- Occasionally use a lightweight oil to lubricate moving parts such as the wheels and steering linkages.
- Keep the vehicle in an upturned position, do not overturn or incline it. It is recommended to store the vehicle indoors when not in use. If stored outdoors, the vehicle needs to be covered by a tarp for protection against weather elements.
- This toy should be kept away from fire. Keep the vehicle away from sources of heat, such as stoves and heaters. Plastic parts may melt. While charging ensure all flammable liquids are well away from the vehicle.
- *ADULTS ONLY* to recharge the battery after each use. Recharge the battery at least once a month when the vehicle is not being used.
- Use a soft, dry cloth to clean vehicle.
- *DO NOT* use any chemical liquids to clean the plastic surface of the vehicle.
- *DO NOT* wash the vehicle with soap and water.
- *DO NOT* drive the vehicle in rainy or snowy weather. Water will damage the motor, electric system and battery.
- When not in use all electrical sources should be turned off. Press the power switch to the "OFF" position to turn the power off. Also disconnect the battery connection under the seat.
- Please do not change the structure of this product and circuit system.
- *DO NOT* use the vehicle for other purposes except riding.

Safety Precautions:

1. While riding, adult supervision is required at all times.
2. Always wear a helmet when riding.
3. Do not ride near roads or on the footpath.
4. It is not recommended to drive the vehicle on wet surfaces or on slopes greater than 15 degrees.
5. It is recommended to ride this vehicle on smooth surfaces only.
6. Do not use this vehicle outdoors when it is raining.
7. Make sure you come to a complete stop before changing directions from forward to reverse.
8. Don't allow children to operate the charger or play with the battery.
9. Clean the vehicle with a dry cloth only.
10. Please follow the correct weight and age limits allowed to driver this vehicle.
11. It is prohibited to change the circuit or add other electric parts.
12. Adults must teach their children about safe driving procedures.
13. Please turn the power off when not in use.
14. Check the seat to ensure it has been fitted and secured with a bolt before driving.
15. Inspect all wires and connections of the vehicle periodically.
16. Charging the battery should only be done by adults.
17. Charging plug is located the bottom of the vehicle.
18. In order to avoid accidents, please ensure the vehicle is safe before driving.
19. Do not let any child touch the wheels or be near them when the vehicle is moving.

Trouble-Shooting:

1. If vehicle fails to move:
 - a) Make sure the battery wires are connected properly.
 - b) Recharge the battery, if necessary.
 - c) Check the fuse and replace if damaged.
2. If vehicle runs slowly:
 - a) Recharge the battery.
3. If the battery can not recharged:
 - a) Battery or charger may be damaged. Replace if necessary.

If you have any missing or damaged parts or need assembly assistance, please contact our service center directly. Do not return this product to the retailer, they do not stock replacement parts.

Support Website: <http://support.bigtoysusa.com>
Support Phone: 715-955-4237

Manufactured by: Kalee Children't Products Co. Ltd.

ALL RIGHTS RESERVED.

BIGFOOT®, visit www.Bigfoot4x4.com

Licensee: Kalee Trading Company/Kalee Children's Products Co., Ltd.
Unit 816, Tower B, New Mandarin Plaza, 14 Science Museum Road,
Kowloon, Hong Kong

Made in China

You can help protect the environment! Please remember to respect the local regulations: hand in the non-working electrical equipments to an appropriate waste disposal center.

