

BIGFOOT®



Bigfoot® Motorised Utility Vehicle Battery Operated Ride On Instruction / Assembling Manual



Item No. KL-40033BF

Adult Assembly Required.

Please read this manual carefully before giving this toy to your child.

This manual contains important information which will help you to assemble the unit includes safety instructions.

Please keep this manual for future purpose

Manufactured by : Kalee Children's Products Co, Ltd.

Made in China

Vehicle / Battery Specifications:

Age: Ages 3 and up

Maximum Capacity: 40 kgs / 88 lbs

Speed: 5.0-5.5km/h / 3.1-3.4mph

Battery Type: Sealed lead-acid rechargeable, **12Volt 7Ah**

Charging time: Always charge the battery for 8-10 hours before first use and when recharging is needed. Never charge for more than 16 hours.

Power input for Charger: A/C 100-240 Volts, 60Hz

Power output to Battery: DC 14Volts, 1000mA



WARNING:

1. Use the toy only on flat surfaces, such as sidewalks, driveways or playgrounds. Never ride the vehicle in dangerous places such as busy streets, roads or highways.
2. Never use/ride/play near swimming pools or other bodies of water.
3. Never ride the vehicle in muddy or sandy areas. Never ride in hilly areas or on steep slopes. This vehicle was made to operate on dry leveled ground.
4. Never ride in the dark or in dimly lit areas.
5. Clean the vehicle only with a damp cloth and never submerge vehicle in water or spray with water directly from a hose.
6. Do not exceed the recommended weight limit of 40 kgs / 88lbs.
7. To avoid suffocation of children please destroy all plastic bags after assembly of the vehicle.
8. If vehicle is equipped with a forward / reverse switch, never press this switch while vehicle is in motion. Always stop the vehicle before switching directions.
9. This toy should be used with caution since skill is required to avoid falls or collisions causing injury to the user or third parties.



WARNING:

To reduce the risk of injury, adult supervision is required.

Never use on roadways, near motor vehicles, on or near steep inclines or steps, swimming pools or other bodies of water. Always wear shoes and never allow more than 2 rider.



WARNING:

Contains small parts, sharp points and sharp edges. Adult assembly required.



WARNING:

Not to be used in traffic.



WARNING:

Choking Hazard! Contains small parts. Not for children under 3 years old!



WARNING:

This toy is unsuitable for children under 3 years due to its maximum speed.

CHARGING CAUTIONS:

- The charger is not a toy. Do not allow children to play with the charger or to recharge the battery.
- Turn the power switch to "OFF" when charging.
- Before the first use, you should charge the battery for 8-10 hours. Do not charge the battery for more than 16 hours to avoid overheating the charger.
- It is normal for the charger to feel warm during charging. If the charger feels very hot, stop charging, unplug the charger and check the battery and charger.
- Use the charger in a dry location only and store in a dry location when not in use.
- Regularly check the charger, battery and their connectors for excessive wear or damage each time you charge the battery. If damage or excessive wear is detected, do not use the charger or the battery until you have replaced the worn or damaged part.

BATTERY SAFETY WARNING:

- Only use the battery and charger supplied by the manufacturer.
- Do not connect the battery terminals directly together. This will cause the battery to short-circuit.
- Never short-circuit the battery terminals or modify the electrical system. Alterations may cause a fire resulting in serious injuries.
- Do not mix old and new batteries or batteries of different types.
- Remove batteries during long periods of non-use. Always remove batteries from the product. Dispose of batteries safely. Do not dispose of batteries in fires. The batteries may explode or leak.
- If removable, rechargeable batteries are used, they are only to be charged under adult supervision.
- Recharge the battery fully before storage, then charge it every 3 months to extend the life of the battery.




















WARNING - Risk of fire. Do not by pass fuse. Replace only with the correct amperage fuse.

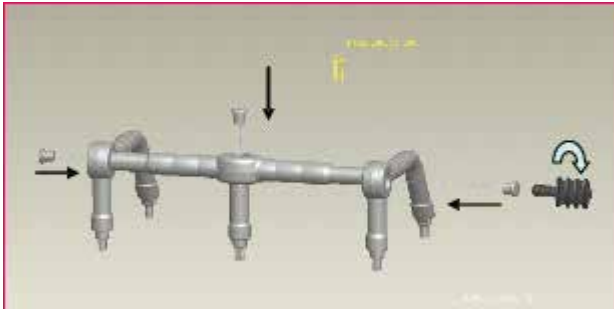
Caution:

This ride on vehicle is equipped with a built-in thermal circuit breaker. The thermal circuit breaker is a self-resetting safety device which automatically "trips" and shuts down the operation of the vehicle if it is overloaded or the driving conditions are too severe. Once the circuit breaker has tripped it will automatically reset itself after approximately 25 seconds and allow the rider to resume normal operation.

Parts list:

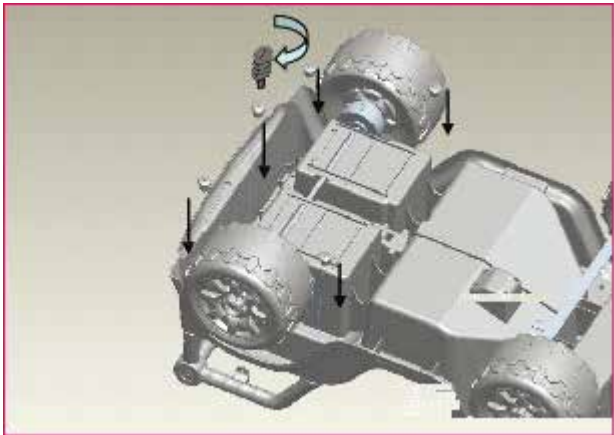
No.		Description	Qty
1		Windshield	1pc
2		Steering wheel	1pc
3		Turning shaft	1pc
4		Seat	1pc
5		Radiator	1pc
6		Front bumper	1pc
7		Fastener for front hood	2pcs
8		Left roll bar	1pc
9		Right roll bar	1pc
10		Center roll bar	1pc
11		Center for roll bar	1pc
12		Plastic nut	8pcs
13		Plastic wrench	1pc
14		Screw (TA4.5x14x8)	10pcs
15		Screw for steering wheel	1pc
16		M5 nut for steering wheel	1pc
17		Screw (TM4x12x8)	2pcs

Assembly



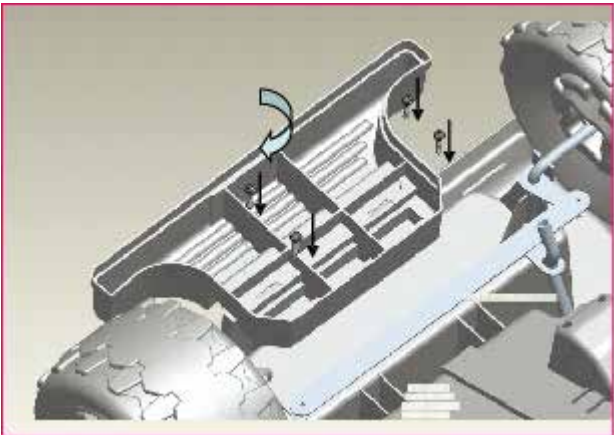
Step 1:

Assemble the left roll bar (#8) and right roll bar (#9) to the center roll bar (#10), Attach Center support (#11), secure with the plastic nuts (#12) using the plastic wrench (#13).



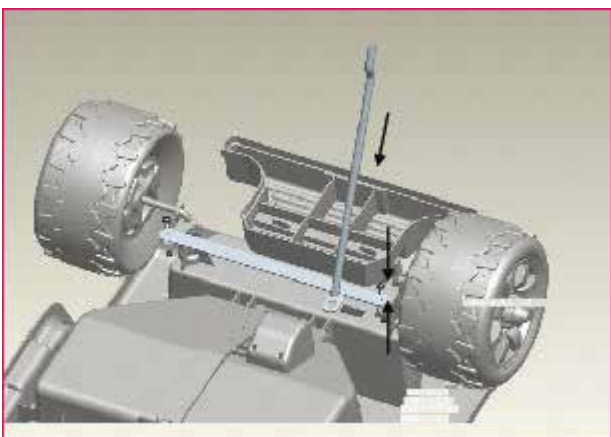
Step 2:

Insert the roll bar with left side and right side into the rear body, secure with plastic nuts (#12).



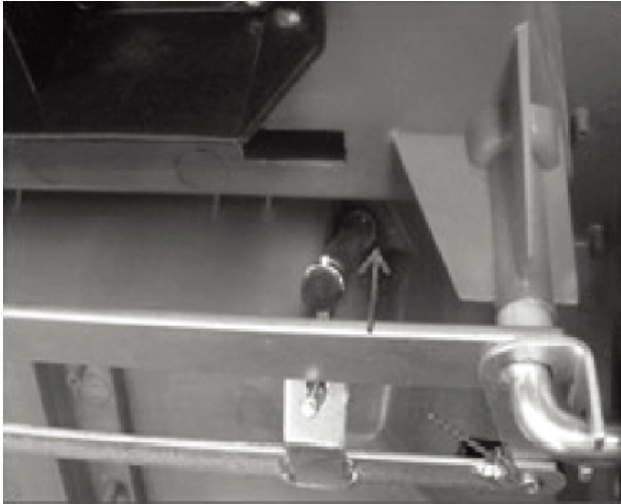
Step 3:

Assemble the front bumper (#6) to the body, secure with screws (#14) provided.



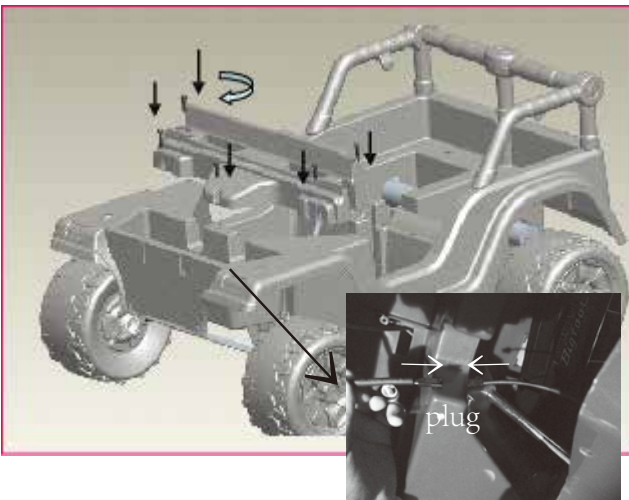
Step 4:

Unscrew the nut and screw on the left of the steering link.



Step 5:

Insert the turning shaft (#3) into body, then insert the end of the turning shaft into the steering link, then tighten the nut and bolt.



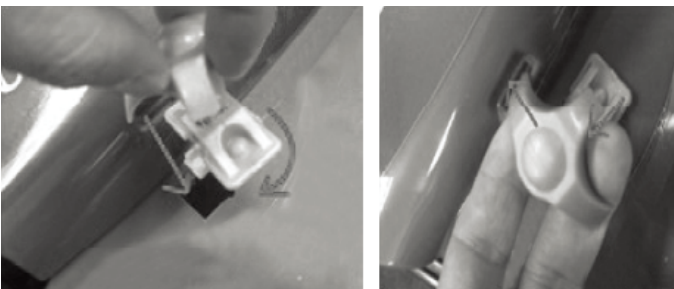
Step 6:

Insert the turning shaft into the hole of the instrument panel, and attach the instrument panel to the body, then secure it with the screw TA4.5x14x8 (#14).



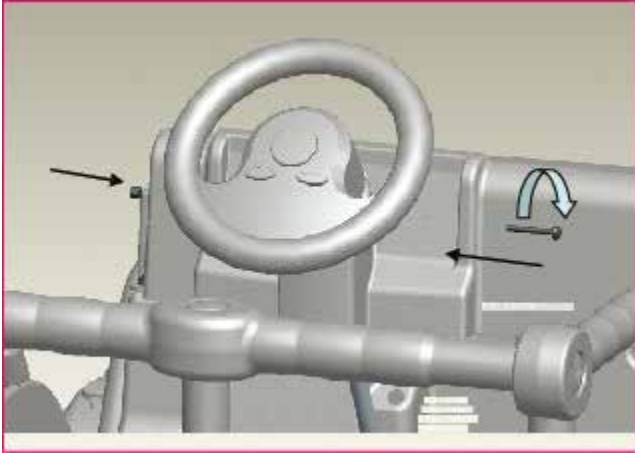
Step 7:

Attach the radiator (#5) onto the front of the body.



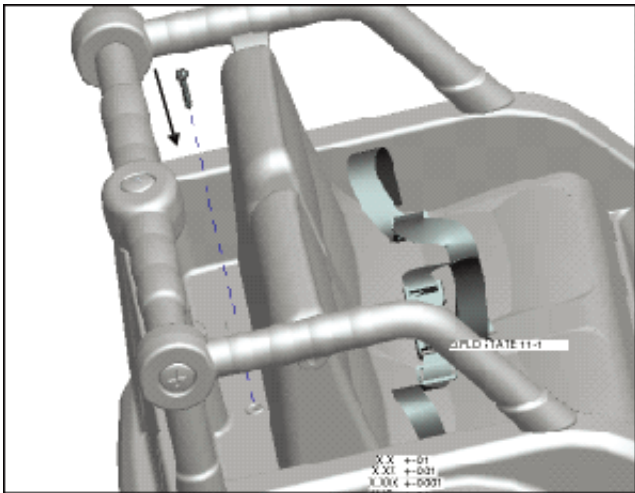
Step 8:

Insert the fastener for front hood (#7) into the hole of the body, and then attach the front the hood onto the front of the body.



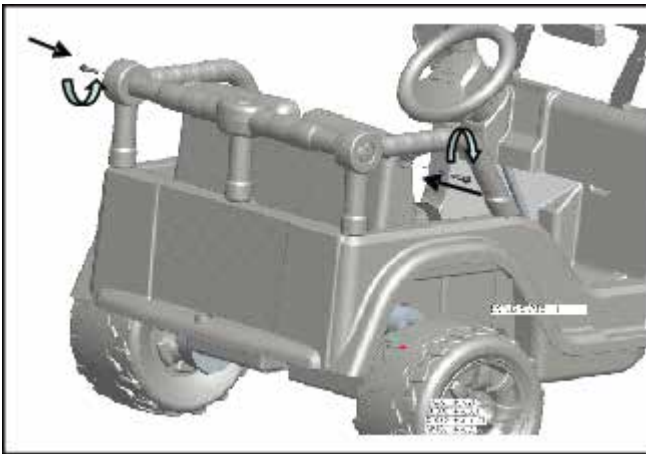
Step 9:

Place the steering wheel (#2) onto the turning shaft, then secure it by inserting the screw (#15) through the steering wheel and the steering column, tighten the nut (#16) with the spanner.



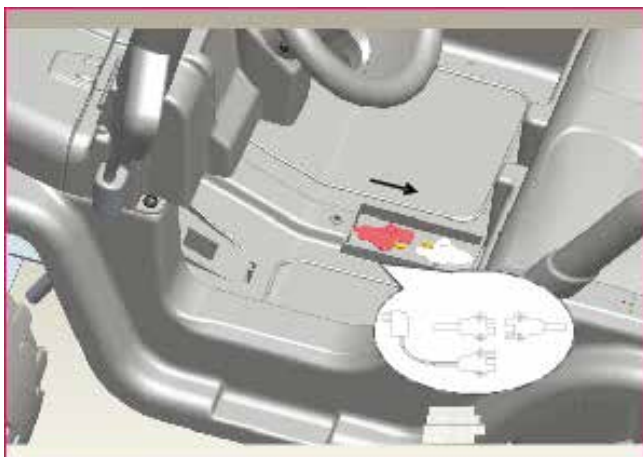
Step 10:

Attach seat (#4) into the body, then secure it with the screw TA4.5x14x8 (#14) at the back of the seat, tighten screw with screwdriver.



Step 11:

Secure the roll bar with left roll bar and right roll bar with the screw TM4x12x8 (#17) at the sides of the seat.



Step 12:

When charging the battery, disconnect the plug of the battery from the plug of the vehicle and then connect the plug of the adaptor with the plug of the battery. Then plug into a household outlet.

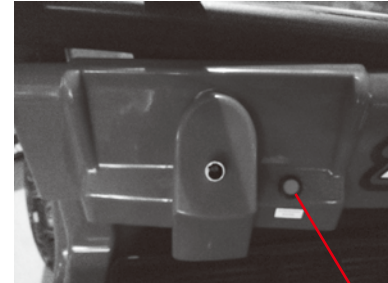
Operation of the Vehicle:

1. Make sure the battery is fully charged and the motor plug is connected to the battery plug.
2. Before using the vehicle, please connect the plugs which located in the middle of the seat.
3. Press the direction switch to "F" and press the accelerator pedal, vehicle will move forward.
4. To stop the vehicle remove foot from accelerator pedal. When stopped, press the direction switch to "B" then press the accelerator pedal, vehicle will move backward.
5. The vehicle has 2 speeds, drive forward with 2 speed and backward with 1 speed, press the red button as shown to change into faster speed.

NOTE: Do not change directions switch while vehicle is in motion.

6. Requires 2x"AA" size batteries(Not included).

Using the coin to open the battery cover to place the batteries in the battery compartment checking that the batteries are placed with the correct polarities to the battery terminals. Exhausted batteries are to be removed from the toy. Different types of batteries or new and used batteries are not be mixed.



Switch



Maintaining your vehicle:

- It is a parents responsibility to check main parts of the vehicle before use. Regularly examine the vehicle for potential hazards, such as the battery, charge cable, cord and plug. Ensure screws are tightened. If there are any damages, the vehicle must not be used until these damages have been properly repaired or replaced.
- Occasionally use a lightweight oil to lubricate moving parts such as the wheels and steering linkages.
- Keep the vehicle in an upturned position, do not overturn or incline it. It is recommended to store the vehicle indoors when not in use. If stored outdoors, the vehicle needs to be covered by a tarp for protection against weather elements.
- This toy should be kept away from fire. Keep the vehicle away from sources of heat, such as stoves and heaters. Plastic parts may melt. While charging ensure all flammable liquids are well away from the vehicle.
- *ADULTS ONLY* to recharge the battery after each use. Recharge the battery at least once a month when the vehicle is not being used.
- Use a soft, dry cloth to clean vehicle.
- *DO NOT* use any chemical liquids to clean the plastic surface of the vehicle.
- *DO NOT* wash the vehicle with soap and water.
- *DO NOT* drive the vehicle in rainy or snowy weather. Water will damage the motor, electric system and battery.
- When not in use all electrical sources should be turned off. Press the power switch to the "OFF" position to turn the power off. Also disconnect the battery connection under the seat.
- Please do not change the structure of this product and circuit system.
- *DO NOT* use the vehicle for other purposes except riding.
- To extend the battery life you should recharge the battery fully before storage, then charge it every 2 months if not in use.

Safety Precautions:

1. While riding, adult supervision is required at all times.
2. Always wear a helmet when riding.
3. Do not ride near roads or on the footpath.
4. It is not recommended to drive the vehicle on wet surfaces or on slopes greater than 15 degrees.
5. It is recommended to ride this vehicle on smooth surfaces only.
6. Do not use this vehicle outdoors when it is raining.
7. Make sure you come to a complete stop before changing directions from forward to reverse.
8. Don't allow children to operate the charger or play with the battery.
9. Clean the vehicle with a dry cloth only.
10. Please follow the correct weight and age limits allowed to driver this vehicle.
11. It is prohibited to change the circuit or add other electric parts.
12. Adults must teach their children about safe driving procedures.
13. Please turn the power off when not in use.
14. Check the seat to ensure it has been fitted and secured with a bolt before driving.
15. Inspect all wires and connections of the vehicle periodically.
16. Charging the battery should only be done by adults.
17. Charging plug is located the bottom of the vehicle.
18. In order to avoid accidents, please ensure the vehicle is safe before driving.
19. Do not let any child touch the wheels or be near them when the vehicle is moving.

Trouble-Shooting:

1. If vehicle fails to move:
 - a) Make sure the battery wires are connected properly.
 - b) Recharge the battery, if necessary.
 - c) Check the fuse and replace if damaged.
2. If vehicle runs slowly:
 - a) Recharge the battery.
3. If the battery can not recharged:
 - a) Battery or charger may be damaged. Replace if necessary.

If you have any missing or damaged parts or need assembly assistance, please contact our service center directly. Do not return this product to the retailer, they do not stock replacement parts.

Support Website: <http://support.bigtoysusa.com>
Support Phone: 715-955-4237

Manufactured by: Kalee Children't Products Co. Ltd.

ALL RIGHTS RESERVED.

BIGFOOT®, visit www.Bigfoot4x4.com

Licensee: Kalee Trading Company/Kalee Children's Products Co., Ltd.
Unit 816, Tower B, New Mandarin Plaza, 14 Science Museum Road,
Kowloon, Hong Kong

Made in China

You can help protect the environment! Please remember to respect the local regulations: hand in the non-working electrical equipments to an appropriate waste disposal center.

