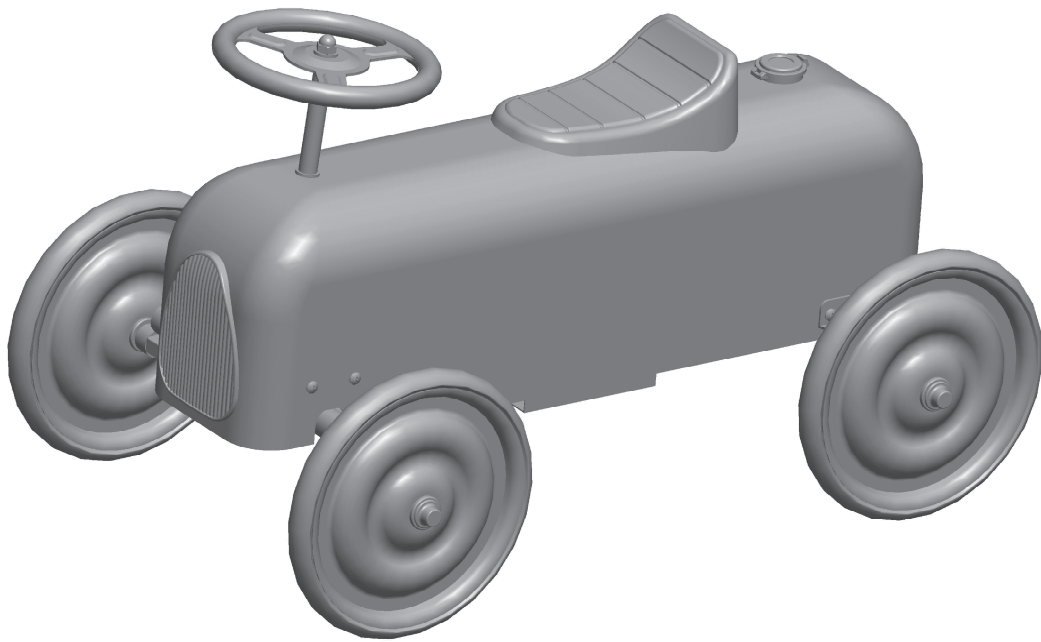


Lil' Classic Racer

Assembly Manual & User's Guide

Model No.: KL-8031B



Please read this manual carefully before assembly and use.
Product features may vary from the picture above.

⚠ WARNING: Contains small parts, sharp points and sharp edges. Adult assembly required.

⚠ WARNING: Choking Hazard
Contains small parts.

SPECIFICATION

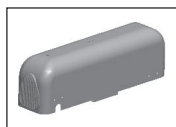
For Ages:	2 and up
Vehicle Dimension:	24.72"x14.96"x14.96"
Net Weight:	12.98 lbs
Maximum Weight Limit:	55lbs

CAUTION

RIDING HAZARD

- 1). Keep Children Within Safe Riding Areas. Keep away from swimming pools and other bodies of water to prevent drownings. Do not use on slope, roads, near highway, near cars, steps, steep inclines, and alleys.
- 2). Direct Adult Supervision Required.
- 3). Only one child should ride this vehicle at a time. The weight limit is 55 lbs. Do not overload.
- 4). Always sit on the seat.
- 5). Always wear shoes or suitable footwear.
- 6). Take care when driving the vehicle.
- 7). Destroy polybag after you have unpacked vehicle carton to avoid accidents and suffocation. Children must not play with the plastic bags.
- 8). The toy should be used with caution since skill is required to avoid falls or collisions causing injury to the user or third parties.

COMPONENT LIST



1. Bonnet x 1



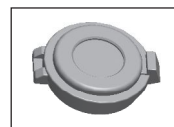
2. Seat x 1



3. PA3.5x8 Screw x 2



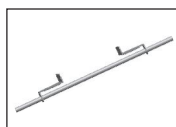
4. PA3.5X12 Screw x 1



5. Tank Cap x 1



6. Front Axle x 1



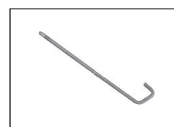
7. Rear Axle x 1



8. TM4x10 Screw x 8



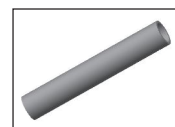
9. M4 Hex Nut x 8



10. Steering Shaft x 1



11. Plastic Washer x 2



12. Steering Shaft Loop x 1



13. Steering Wheel x 1



14. φ15xφ8.5xφ1.5 Washer x 1



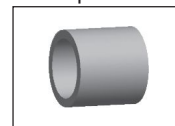
15. M8 Dome Nut x 1



16. Wheel x 4



17. φ20xφ10.5xφ2 Washer x 4



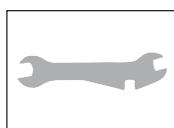
18. Back Axle Loop x 2



19. φ10 Hub Cap x 4



20. Hub Cap Tool x 1



21. Wrench x 1



22. M8 Wrench x 1

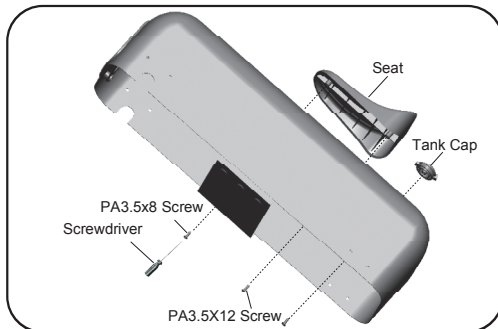


23. Screwdriver x 1 (Not Included)



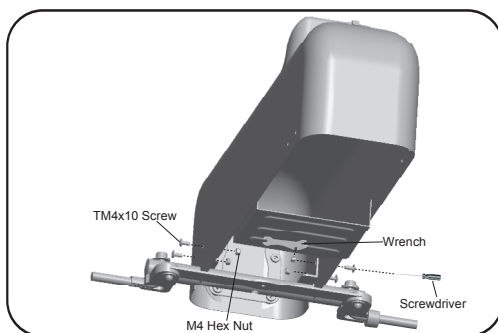
24. Rubber Mallet x 1 (Not Included)

INSTALLATION INSTRUCTIONS



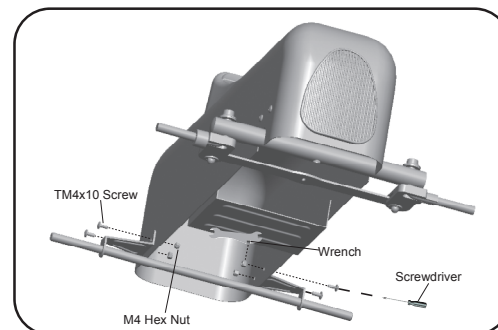
1. Seat & Tank Cap Assembly

- Attach the Seat (#2) to the top of the Bonnet (#1) as shown.
- Tighten the seat front screw hole with PA3.5x8 Screw (#3) and the back screw hole with PA3.5x12 Screw (#4) by using Screwdriver (not included).
- Then attach the Tank Cap (#5) and tighten the PA3.5x8 Screw (#3) with Screwdriver.



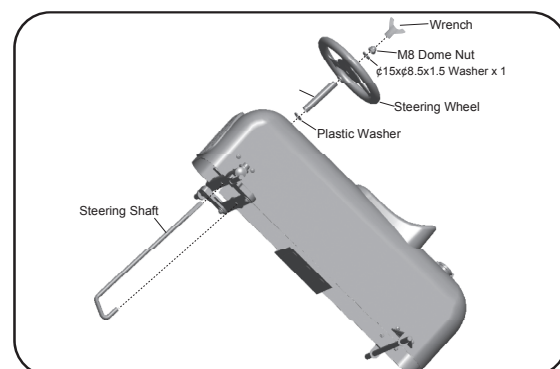
2. Front Axle Assembly

- Attach the Front Axle (#6) to the front of bonnet and line up as shown.
- Insert 4pcs of TM4x10 Screw (#8) and M4 Hex Nut (#9), then tighten with Screwdriver (not included) & Wrench (#22) at the same time.



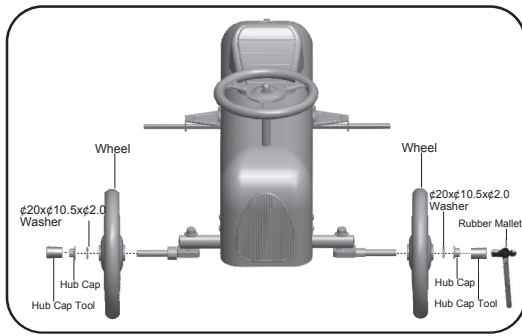
3. Rear Axle Assembly

- Attach the Rear Axle (#7) to the rear of bonnet and line up as shown.
- Insert TM4x10 Screw (#8) and M4 Hex Nut (#9). Then tighten with Screwdriver (not included) and Wrench (#22) at the same time.



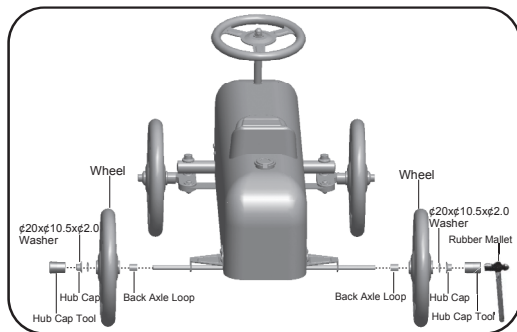
4. Steering Wheel Assembly

- Insert the Steering Shaft (#10) through the bonnet from underneath.
- Insert on top the Plastic Washer (#11) Steering Shaft Loop (#12) and another Plastic Washer (#11) as shown.
- Then attach the Steering Wheel (#13) and $\phi 17 \times \phi 8.5 \times 1.5$ Washer (#14) and tighten the M8 Dome Head Nut (#15) with Wrench (#22).



5. Front Wheel Assembly

- Attach the Wheel (#16) to the front wheel axle, and insert $\phi 20 \times \phi 10.5 \times 2.0$ Washer (#17) and Hub Cap (#19).
- Tighten the hub cap with the Hub Cap Tool (#20) & Rubber Mallet (not included).



6. Rear Wheel Assembly

- Attach the Wheel (#16) to the rear wheel axle, and insert $\phi 20 \times \phi 10.5 \times 2.0$ Washer (#17) and Hub Cap (#19).
- Tighten the hub cap with the Hub Cap Tool (#20) & Rubber Mallet (not included).

CARE & MAINTENANCE

- Use a soft, dry or damp cloth to clean surface of the vehicle. Do not use soap and water, solvents or abrasive materials to wash the vehicle or spray it with a hose.
- Check all screws and their protective coverings regularly and tighten as required.
- Put the vehicle away when not in use and do not store in direct sunlight.
- If you have any missing or damaged parts or need assembly assistance, please contact our service center directly. Do not return this product to the retailer, they do not stock replacement parts.
Support Website: <http://support.bigtoysusa.com>
Support Phone: 715-955-4237