

Assembly Manual & User's Guide



Lotus F1
Item No.: B00KD3G2HE
(KL-9003)



 **WARNING:** Adult Assembly Required

Please read this manual carefully before assembly and use.

This manual contains safety instructions and important information which will help you assemble the unit. Please keep this manual for future purposes.



Produced under licence from Group Lotus plc as master licensee of Lotus F1 Team Limited. LOTUS and the Lotus Roundel are trademarks of Group Lotus plc. LOTUS F1 TEAM name and logo are trademarks owned by, or used under licence by, Lotus F1 Team Limited and Group Lotus plc. F1® is a trademark of Formula One Licensing BV.
[Car designs and livery are the property of Lotus F1 Team Ltd and protected by copyright and designs law]

SPECIFICATION






For Ages:	3 and up
Vehicle Dimension:	80.3x30.2x33.0cm
Net Weight:	3.55 kgs / 7.81 lbs
Maximum Weight Limit:	25 kgs / 55lbs

CAUTION

RIDING HAZARD

- 1). Keep Children Within Safe Riding Areas. Keep away from swimming pools and other bodies of water to prevent drownings. Do not use on slope, roads, near highway, near cars, steps, steep inclines, and alleys.
- 2). Direct Adult Supervision Required.
- 3). Only one child should ride this vehicle at a time. The weight limit is 25kgs. Do not overload.
- 4). Always sit on the seat.
- 5). Always wear shoes or suitable footwear.
- 6). Take care when driving the vehicle.
- 7). Destroy polybag after you have unpacked vehicle carton to avoid accidents and suffocation. Children must not play with the plastic bags.
- 8). The toy should be used with caution since skill is required to avoid falls or collisions causing injury to the user or third parties.
- 9). A recommendation for adult supervision of young children.
- 10). Instructions to be given to the child in the proper use of the toy, particularly in the use of any braking system.
- 11). A reminder that the toy should be used with caution since skill is required to avoid falls or collisions causing injury to the user or third parties.
- 12). If the toy carries a warning regarding protective equipment, some indication shall also be given in the instructions for use with regard to recommended protective equipment (helmet, gloves, knee-pads, elbow-pads etc.).

COMPONENT LIST

Part No.	Description	Qty
1	 Body	1pc
2	 Steering wheel (Prefixed screw and nut)	1pc
3	 Front Bumper	1pc
4	 Empennage	1pc
5	 Screw TA3.5x12x6.5	4pcs



WARNING:

To reduce the risk of injury, adult supervision is required.
Never use on roadways, near motor vehicles, on or near steep inclines or steps, swimming pools or other bodies of water. Always wear shoes and never allow more than 1 rider.



WARNING:

Contains small assembly components that are small parts with functional sharp point and edges. Adult assembly required.



WARNING:

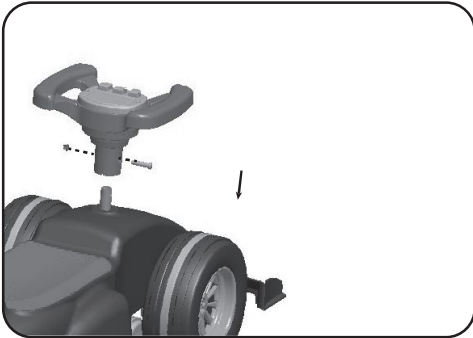
Non-rechargeable batteries are not to be recharged.



WARNING:

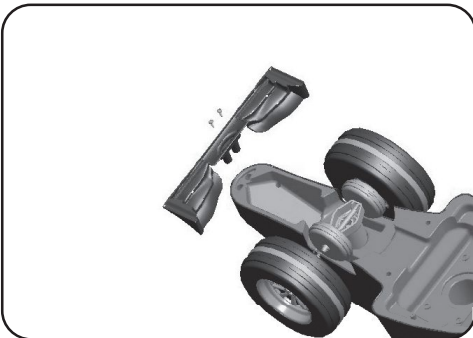
Exhausted batteries are to be removed from the toy.

How to assemble the vehicle:



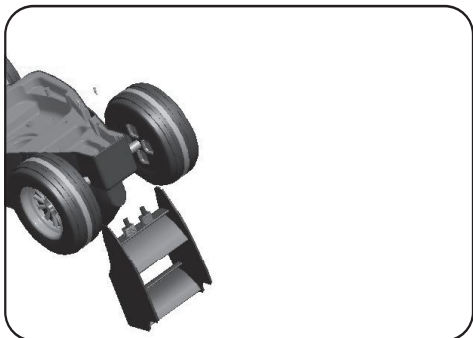
Step 1:

- Undo the screw and nut from the steering wheel column (#2).
- Attach the steering wheel to the steering wheel column (Noted: the buttons must be on the front side).
- Then insert the screw and nut into the hole of the steering wheel and steering wheel column, tighten the screw with screwdriver (Not included).



Step 2:

- Attach the front bumper (#3) to the body, then tighten with 2 pcs TA3.5x12x6.5 screws (#5).



Step 3:

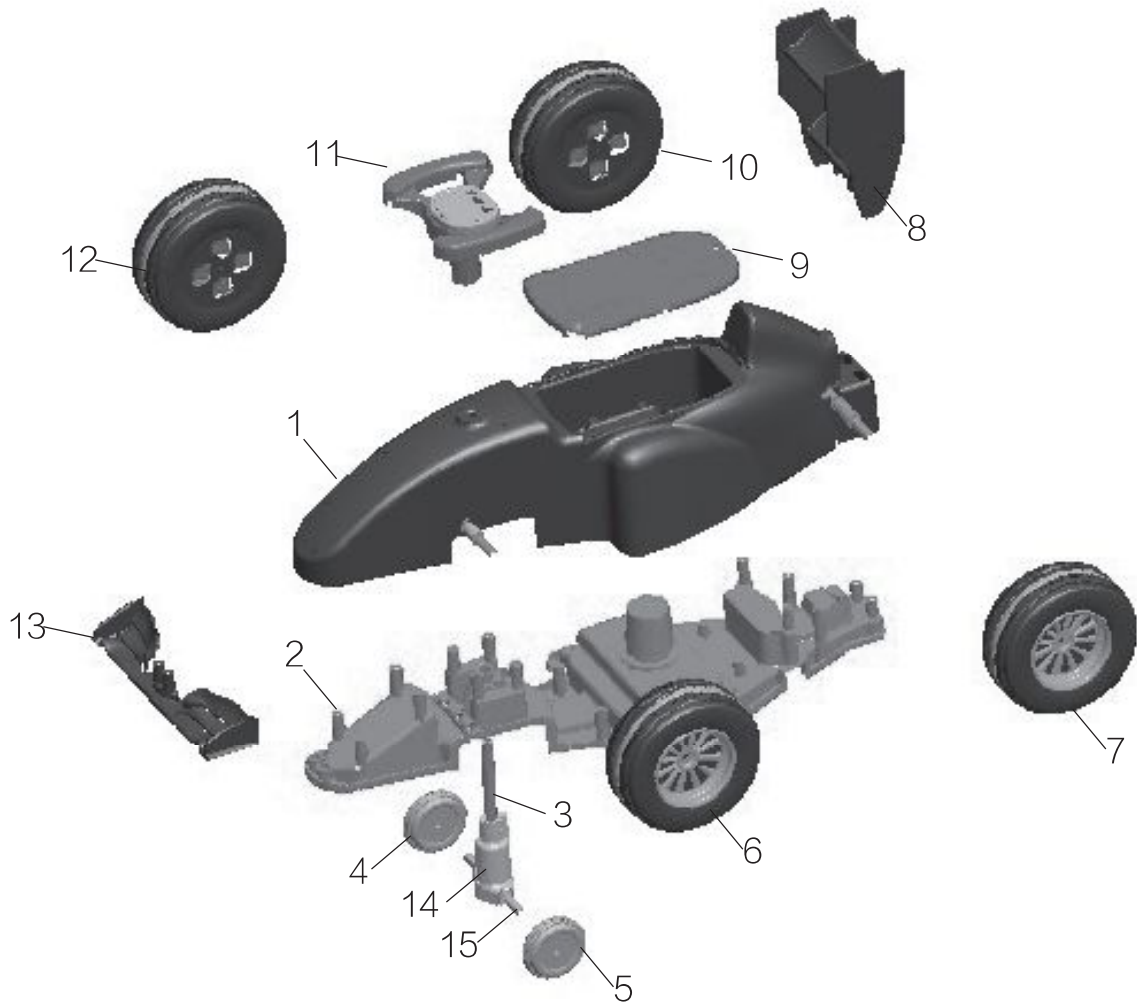
- Attach the empennage to the body, then tighten with 2 pcs TA3.5x12x6.5 screws (#5).



Step 4:

- Open the battery cover on the steering wheel by coin.
- Insert 2x"AA" batteries into the battery box, then cover the battery cover.
- NOTE:
 1. Do not use rechargeable batteries.
 2. Do not mix old and new batteries.
 3. Only batteries of the same or equivalent type should be used.
 4. Ensure batteries are inserted according to the correct polarity.
 5. The supply terminals are not to be short-circuited.

Bom List:



1. Body A

2. Body B

3. Steering wheel column

4. Turning wheel Right

5. Turning wheel Left

6. Front wheel Right

7. Rear wheel Left

8. Empennage

9. Seat

10. Rear wheel Right

11. Steering wheel

12. Front wheel Left

13. Front bumper

14. Steering stents

Customer Service:

If you have any missing or damaged parts or need assembly assistance, please contact our service center directly. Do not return this product to the retailer, they do not stock replacement parts.

Support Website: <http://support.bigtoysusa.com>
Support Phone: 715-955-4237

Manufactured by:
Kalee Children's Products Co., Ltd. Quanzhou
Wuli Industrial Zone, Jinjiang, Fujian, China
www.kalee.com

Made in China

You can help protect the environment! Please remember to respect the local regulations: hand in the non-working electrical equipments to an appropriate waste disposal center.

